

**Product code: PCIVPV**

Proportional solenoid valve incremental control device

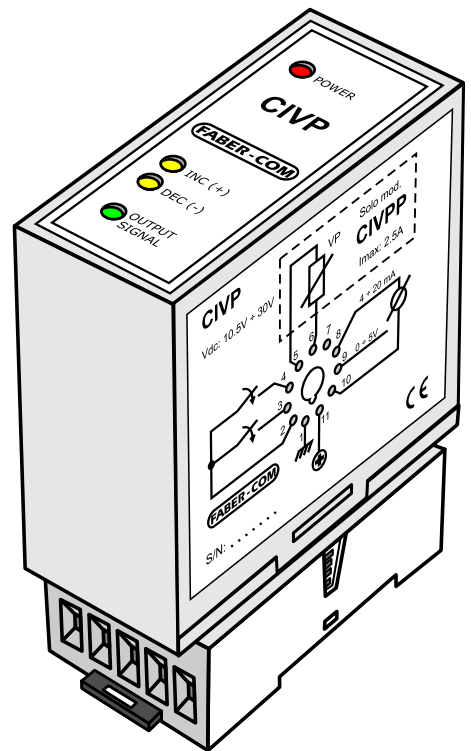
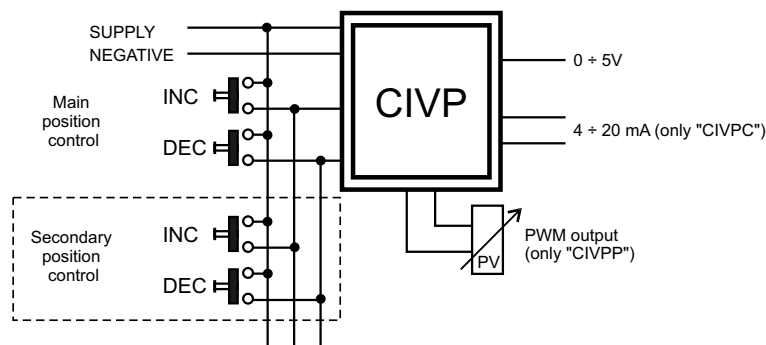
**OPERATION**

The CIVP card can be considered like an **ELECTRONIC POTENTIOMETER**.

It can be used to replace a potentiometer with the further possibility to have several control working positions at the same time.

**FEATURES**

- Voltage output signal  $0 \div 5V$ , and current output signal  $4 \div 20$  mA (optional).
- Output regulation by a couple of push-buttons.
- Easy to command from several control working stations at the same time (simply with the connection in parallel of the others push-buttons pairs).
- At the start-up the output can take the last set value or zero.
- Automatic increase/decrease, if the regulation button is held pushed, with the possibility to choose between two different speeds.
- On the front panel some LEDs show the output and the control push buttons state.
- Available with proportional solenoid valve direct PWM output (mod.**CIVPP**).

**CONNECTIONS****TECHNICAL FEATURES**

Power supply voltage	10V±30V
Voltage output signal	0 ÷ 5V - Max current: 5 mA
Current output signal	4 ÷ 20 mA (only version -C)
Output signal resolution	256 levels
Output signal stability	< 0.5%
Working room temperature	-20 ÷ +60 °C
Case	Plastic box with Undecal connector
Overall dimensions	79 x 36 x 77 mm
Weight	200 g